

SpatialAnalyzer - Software packages

October 2012

New River Kinematics has recently presented the new SA packages, which are offered the customers since 01. September 2012.

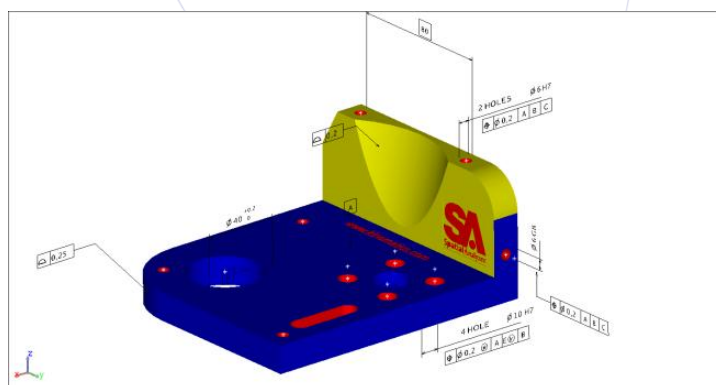
- **SA PROFESSIONAL (SA PRO)**

The old SA BASIC – package is now replaced by a new package called **SA PROFESSIONAL**. It contains many user-friendly enhancements and features around the GD&T (form and position tolerances) and Native CAD.

- **SA ULTIMATE (SA UL) - the new Ultimate**

The old independent package SA ULTIMATE + Native CAD will be cancelled and is no longer available. All previous Ultimate features and Native CAD are now combined in the new **SA ULTIMATE**.

More information you will find in the table on the next page and on our website.



SpatialAnalyzer Software Packages

valid from September 2012

FEATURE	SA PROFESSIONAL	SA ULTIMATE	SA MACHINE
Measurement:			
Traceability	✓	✓	✓
Simultaneous Instrument Interfacing	✓	✓	✓
Interfaces with over 120 Portable Metrology Instruments	✓	✓	✓
Alignment:			
Best Fit	✓	✓	✓
Feature Based	✓	✓	✓
Points to Surfaces	✓	✓	✓
Standard Instrument Network Bundle	✓	✓	✓
Relationship Fitting		✓	✓
Advanced Network Optimization (USMN)		✓	✓
Inspection:			
Geometric Dimensioning & Tolerancing (GD&T)	✓	✓	✓
Geometry Inspection	✓	✓	✓
Build:			
Relationships	✓	✓	✓
Watch Windows	✓	✓	✓
Transformation Tracking & Guiding		✓	✓
Evaluation & Analysis:			
Queries	✓	✓	✓
Spatial Transformations	✓	✓	✓
Robust Fit Algorithms (NIST & PTB certified)	✓	✓	✓
Measurement Uncertainty Analysis	✓	✓	✓
Relationship Optimization (multiple moving objects)		✓	✓
Reverse Engineering		✓	✓
CAD Interface:			
Standard CAD Exchange (IGES, STEP, etc.)	✓	✓	✓
Native CAD Access (CATIA, ProE, NX, etc.)	✓	✓	✓
Automation:			
Automatic Measurement	✓	✓	✓
Measurement Plan Scripting		✓	✓
Software Development Kit (SDK)		✓	✓
SA Reporting:			
Standard Outputs (Excel, Word, PDF, Text)	✓	✓	✓
Graphical Callout Annotations	✓	✓	✓
Quick Reports	✓	✓	✓
Drag & Drop Reporting	✓	✓	✓
Database Output (ODBC)		✓	✓
Pipe Fitting:			
Pipe Cut Optimization		✓	✓
Robotics:			
Kinematic Modeling			✓
Kinematic Calibration			✓
Direct Motion Control			✓
Graphical Simulation			✓